



Model I-7019, I-7019R

8-chan. Universal Analog Input Module

I-7000 is a family of network data acquisition and control modules. They provide analog to digital, digital to analog, digital input/output, timer/counter and other functions. The modules can be remotely controlled by a set of commands.

The I-7019 is a 8-channel universal analog input module. The I-7019 supports more thermocouple types and enhances the measure range of some types. The I-7019R provides +/-240Vrms over voltage protection.

Specifications

Analog Input

- Type: mV, V, mA, Thermocouple
- Thermocouple: Type J, K, T, E, R, S, B, N, C, L, M, L2
- Channels: 8 differential
- Voltage range: +/-15mV, +/-50mV, +/-100mV, +/-150mV, +/- 500mV, +/-1V, +/- 2.5V, ± 5V, ± 10V
- Current range: +/- 20mA (jumper selectable)
- Resolution: 16 bits
- Sampling rate: 8 Samples/Second (total)
- -3dB BandWidth : 5.24Hz
- Voltage Input impedance: >2M ohms
- Overvoltage Voltage Protection : +/-240Vrms (for I-7019) +/-240Vrms(for I-7019R)
- Accuracy: ±0.15%
- CMR: Typical 86dB
- Individual Channel Configurable
- Wire Opening Detection for Thermocouple
- Isolation: 3000VDC

Feature/Benefits

- 3000VDC isolated analog input
- 24bit sigma-delta ADC to provide excellent accuracy
- Thermocouple direct connect with built-in CJC
- Software calibration
- Dual Watchdog

PIN Assignments

Vin5+	1	Vin4-	20
Vin5-		Vin4+	
Vin6+		Vin3-	
Vin6-		Vin3+	
Vin7+		Vin2-	
INIT*/Vin7-		Vin2+	
(Y)DATA+		Vin1-	
(G)DATA-		Vin1+	
(R)+Vs		Vin0-	
(B)GND	10	Vin0+	11

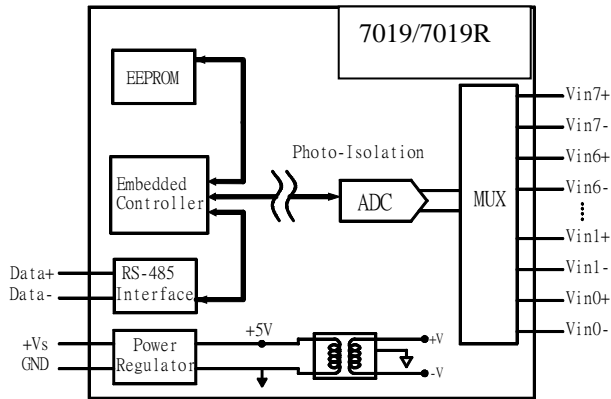
Thermocouple type : (C)

Type	Range (C)
J	-210~ +760
K	-270~+1372
T	-270~+400
E	-270~+1000
R	0~+1768
S	0~+1768
B	0~+1820
N	-270~+1300
C	0~+2320
L	-200~+800
M	-200~+100
L2 DIN43710	-200~+900





Block Diagram



RS-485 Connector

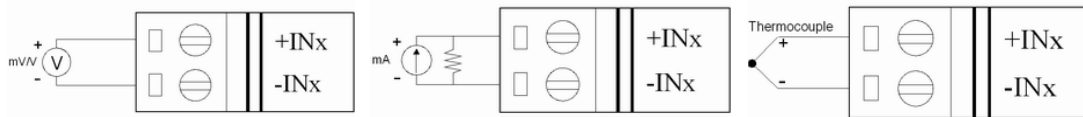
Asynchronous 2-wire half-duplex
Pluggable terminal block: Pitch 5.08mm

Baud Rate

1.2K/2.4K/4.8K/9.6K/19.2K/38.4K/57.6K/115.2K bps

Wire Connection

Analog Input Channel 0~5

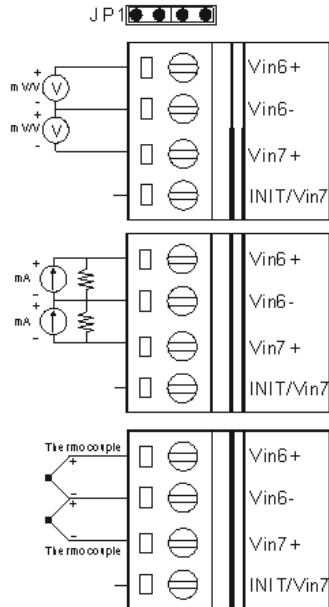
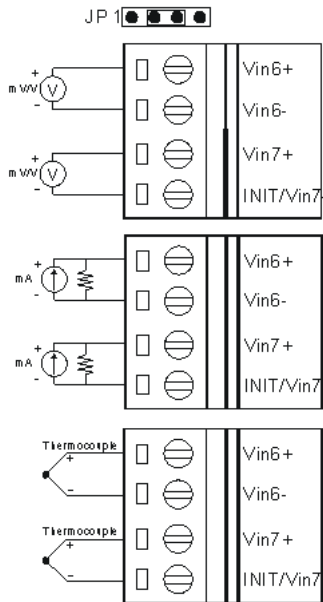




Analog Input Channel 6~7

8 different mode

INIT* mode



Power Requirements

Power input: +10~+30Vdc input

Power Consumption

1.2Watt for I-7019 & I-7019R

Environmental

Storage temperature: -25°C to 80°C
Operation temperature: -20°C to 75°C
Humidity: 5 to 95%, non-condensing

Dimensions: 120L x 72W x 33H cm

Certification: CE

